

The Kammerer quick-closing valve is one of the components of a protection system. Further components (detection and control unit) are required for operation. Emil Kammerer GmbH collaborates with renowned control system manufacturers.

General application area:

Deployment for safe explosion-related decoupling of various system components, which are connected by pipes and in which explosive dusts and gases are processed, transported and stored.

Examples of application areas:

Chemistry, pharmaceuticals, energy, food industry, automotive industry, wood industry, R&D and many more.

Incident:

In case of ignition, downstream system components must be decoupled from the explosion in order to prevent secondary explosions and flame propagation. The quick-closing valve shuts in milliseconds.

Installation position:

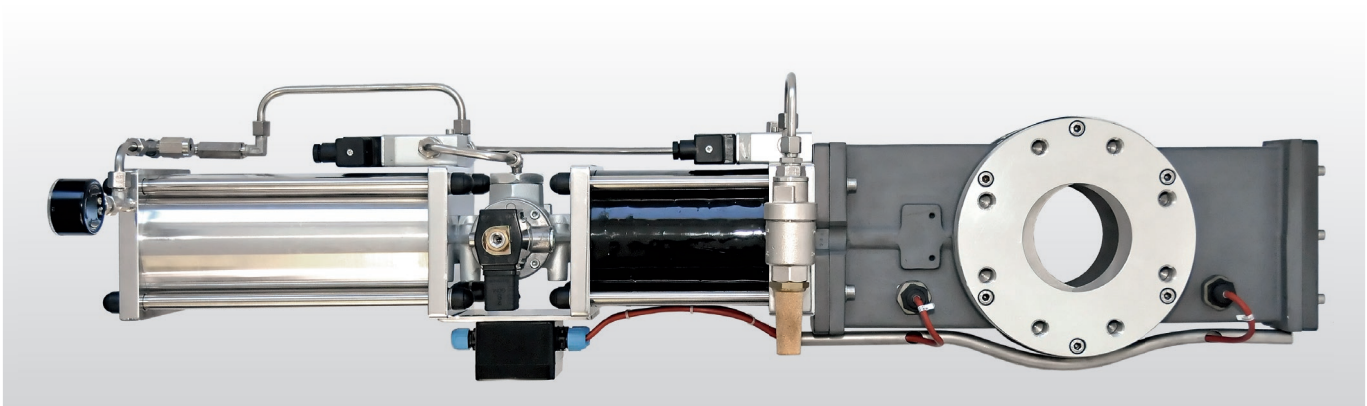
Installation is possible in various positions (see operating manual). The casing is externally gas- and vacuum tight.

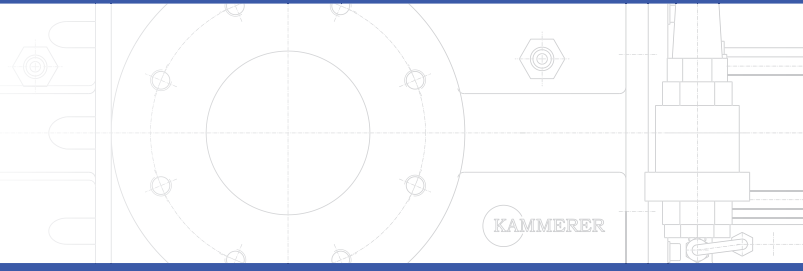
Advantages:

- ⊕ The drill hole in the sliding knife, in accordance with the nominal width, closes the guide slot in an opened position; optional O-rings seal the casing against any medium in the passage way.
- ⊕ In case of compressed air malfunction, the valve remains operational due to a pressure reservoir.
- ⊕ In case of accidental activation, the quick-closing valve is fully operational again in a few seconds without any repair expenditure.
- ⊕ Additionally attached solenoid valves allow a slow opening and closing of the valve for maintenance purposes.

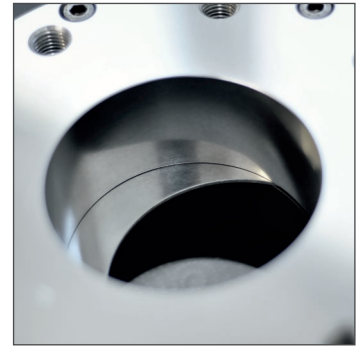
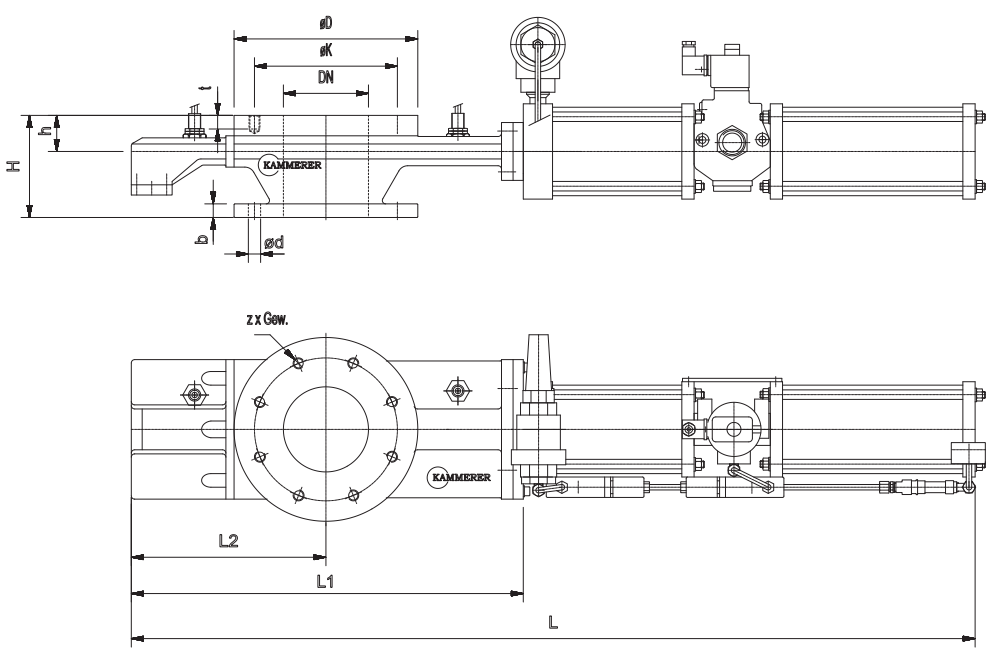
TECHNICAL DATA (DN 50 – DN 200)

Protection type	Ex II 1/- Dc TX 14°F (-10°C) ≤ Ta ≤ 104°F (40°C) Ex II 1/3 Dc TX 14°F (-10°C) ≤ Ta ≤ 104°F (40°C)
Connection	Flange acc. to DIN EN 1092-1 Form A, drilled acc. to ASA 150 lbs. or PN10 (others as e.g. JIS upon request)
Temperature (product)	14°F (-10°C) to 212°F (100°C)
Temperature (ambient)	14°F (-10°C) to 104°F (40°C)
Pressure resistance	Flame-arrestment and pressure-impact proof up to 145 psi/ 10 bar [8" up to 116 psi/ 8 bar, all other diameters in stainless steel available up to 232 psi/ 16 bar] (certified according to ATEX)
Propulsion medium	Air pressure from factory-set air pressure network with an operational pressure of 72 psi/ 5 bar to 87 psi/ 6 bar
Closing time	< 50 msec
Casing material	Silumin, 1.4581 stainless, other materials as e.g. for deployment in the areas of pharmacy and foodstuff upon request
Options	Sealing of the nominal-width drill hole acc. to system GP II, lining in the nominal-width drill hole in 1.4571, others upon request





Technical principle drawing and dimensions (DN50-200/ 2"-8")



DN (mm)	Building length (mm)			Building height (mm)		Flange (mm)	Flange thickness (mm)	Connection dimensions (drilled acc. to PN10)			Determined closing time in ms (deviations of +/- 0.2 to 2 are possible.)	Weight in kg for silumin
	L	L1	L2	H	h	$\varnothing D$	b	$\varnothing d$ (mm)	Z x thread	$\varnothing K$ (mm)		
50	734	327	147	120	53	165	18	18	4xM16	125	23.4	22
65	806	364	174	120	53	185	18	18	4xM16	145	23.4	24
80	945	437	223	120	53	200	16	18	8xM16	160	24	26
100	1123	472	230	120	53	220	17	18	8xM16	180	24.8	30
125	1240	576	286	150	53	270	20	18	8xM16	210	40.1	34
150	1365	626	307	120	53	285	19	22	8xM20	240	27.7	38
200	1640	791	384	150	58	340	21	22	8xM20	295	35.1	50

Diameter (inch)	Building length (inch)			Building height (inch)		Flange (inch)	Flange thickness (inch)	Connection dimensions (drilled acc. to ASA 150 lbs.)			Determined closing time in ms (deviations of +/- 0.2 to 2 are possible.)	Weight in lbs for silumin
	L	L1	L2	H	h	$\varnothing D$	b	$\varnothing d$ (inch)	Z x thread (inch) / [UNC]	$\varnothing K$ (inch)		
2	29	13	6	5	2.1	6.5	0.71	0.71	4 5/8"	4	23.4	48.50
2.5	32	14	7	5	2.1	7.3	0.71	0.71	4 5/8"	5	23.4	52.91
3	37	17	8	5	2.1	7.9	0.62	0.71	4 5/8"	6	24	57.32
4	44	19	9	5	2.1	8.7	0.67	0.71	8 3/4"	7	24.8	66.14
5	49	23	11	6	2.1	10.6	0.79	0.71	8 3/4"	8	40.1	74.96
6	54	25	12	5	2.1	11.2	0.75	0.87	8 3/4"	9	27.7	83.78
8	65	31	15	6	2.3	13.4	0.82	0.87	8 3/4"	11	35.1	110.23

Individual approvals for wider nominal widths (starting from DN 250/from diameter 10") are possible upon request.

We will gladly consult with you without obligation and free of charge:

Phone: +49 (0) 22 02 / 9 55 28-0
E-mail: sales@emil-kammerer.com